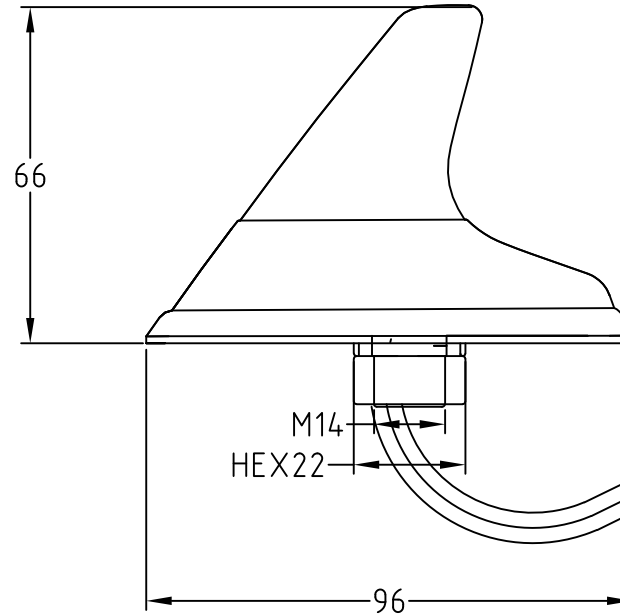
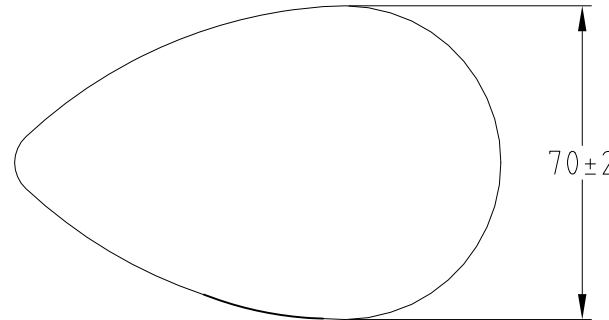
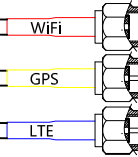


NO	Revision notes	Date	Designed by	Checked by
△	料号M960变更为D413	27.2.2023	li	king



Cable Length 2000±100



Frequency Range	1x 2.4~6.0GHz 1x GPS /GLONASS 1x 698~2700MHz
Impedance	50 Ω
V.S.W.R.	WiFi ≤2.0 GPS ≤2.0 LTE ≤3.0
Radiation	Omni
Gain	WiFi:4.0 dBi GPS:28 dBi LTE:3.5 dBi
Polarization	Vertical
Mechanical Properties	
Radome	PC+ABS
Standard Connector	SMA
Waterprooflevel	IP68
Operating Temp	-40°~+85°

BOM				
NO	Name	Material	Finish	QTY
1	Housing	ABS+PC	BLACK	1
2	RS 31 Cable for WiFi	PVC	BLACK	1
3	RG174 Cable for GPS	PVC	BLACK	1
4	RS 31 Cable for LTE	PVC	BLACK	1
5	V2X Antenna			1
6	GPS Antenna			1
7	LTE Antenna			1
8	RP-SMA Male for Wifi	BRASS	GOLD	1
9	SMA Male for GPS	BRASS	GOLD	1
10	SMA Male for LTE	BRASS	GOLD	1
11	Bolt base	Zinc alloy	Silver	1
12	O-Ring	silica gel	BLACK	1
13	Heat shrink tube	PE	BLACK	1
14	Heat shrink tube for WiFi	PE	RED	1
15	Heat shrink tube for GPS	PE	YELLOW	1
16	Heat shrink tube for LTE	PE	BLUE	1
17	NUT	iron	Silver	1
18	Screw	iron	Silver	1
19	Waterproof pad	Rubber	BLACK	1

### PACKING

THIRD ANGLE PROJECTION  Tolerance .X ±0.1 .XX ±0.05 .x ±1°	DRAWN BY	li	MATERIAL:		PART NO:	D413. M1. 3. 333
	CHECKED BY		FINISH:		TITLE:	Shark Fin Style Antennas
	APPROVED BY	King	UNIT:	mm	 Dongguan RunShun /www.rsantenna.com	
	DATE:	22.2.27	SCALE:1/1	REV 1		